

# AVS-ID1-V2

2MP HD-AVS License Plate Recognition IR Bullet Camera



- 1/2.8" Sony Progressive Starvis CMOS Sensor
- Max 30fps@1080P
- AVS, CVBS (SD), AHD and TVI compatible
- WDR / 3D-DNR / DSS (Sens-up) / UTC / OSD Supported
- 5-50mm motorized lens, Auto Focus
- Max. Recognition distance/ speed: 50ft, 30MPH
- IP66, DC12V
- Made In South Korea And Conforms To The Trade Agreements Act (TAA)

## System Overview

IC Realtime's AVS-ID2 is a specialized HD over coax LPR (License Plate Recognition) camera. This camera is equipped with a 5-50mm motorized auto-focusing lens paired with a 1/2.8" Sony 2.9µm Pixel Progressive Starvis Color CMOS Sensor. The always-on IR reaches an effective distance up to 50 feet and is able to capture license plates up to 30MPH under any lighting condition.

This camera outputs 1080p @30 FPS and also supports AVS, AHD, TVI and CVBS compatible making it compatible with different many recorders. Furthermore, the camera features WDR, Multi language OSD and an IP66 waterproof rating.

Made In South Korea And Conforms To The Trade Agreements Act (TAA)

## Function

### Multiple-formats

The camera supports multiple video formats including HD-AVS, CVBS and other two common HD analog formats in the market. The four formats can be switched over through OSD menu. This feature makes the camera to be compatible with not only AVRs but also most end users' existing HD/SD DVRs.

### Simplicity

HD-AVS technology inherits the born feature of simplicity from traditional analog surveillance system, making itself a best choice for investment protection. HD-AVS system can seamlessly upgrade the traditional analog system without replacing existing coaxial cabling. The plug and play approach enables full HD video surveillance without the hassle of configuring a network.

### Wide Dynamic Range

The camera achieves vivid images, even in the most intense contrast lighting conditions, using industry-leading wide dynamic range (WDR) technology. For applications with both bright and low lighting conditions that change quickly, true WDR (120 dB) optimizes both the bright and dark areas of a scene at the same time to provide usable video.

### Multi-language OSD

OSD menu provides multiple image adjustments and function settings to meet the requirements of different monitoring scenes. The OSD menu includes configurations such as backlight mode, day/night, white balance, privacy mask. The camera supports different languages for OSD menu, namely, Chinese, English,, Japanese, and Korean.

## Technical Specification

### Camera

Image Sensor	1/2.8" Sony Starvis CMOS Sensor
Effective Pixels	2.16MP (1,945x1,109)
Scanning System	Progressive
Electronic Shutter Speed	1/500(400)sec
Minimum Illumination	0 Lux (Continuous IR on)
S/N Ratio	More than 65dB
IR Distance	Up to 15m (50ft)
IR LEDs	5x SR-LED and 25x 5Ø (850nm)

### Lens

Lens Type	DC Auto ICR Vari-focal f=5~50mm, F1.6 Stepping Motorized, On-push Auto Focus
Mount Type	Board-in
Focal Length	5~50mm
Max. Aperture	F1.4
Angle of View	H: 27.7°~4.2° V: 59.1°~8.7°

### Pan/Tilt/Rotation

Pan/Tilt/Rotation Range	Pan: 0° ~ 360° Tilt: 0° ~ 90° Rotation: 0° ~ 360°
-------------------------	---------------------------------------------------------

### Video

Resolution	1080P (1920x1080)
Frame Rate	25/30fps@1080P, 30/60fps@720P
Video Output	HD-AVS, AHD and TVI high definition video output, CVBS (SD) switchable
Day/Night	B/W
OSD Menu	Via OSD Joystick, B/D & UTC
BLC Mode	Off, HLC, BLC, WDR
WDR	Support
Gain Control	AGC (0~10)
Noise Reduction	3DNR
White Balance	Auto
Motion Detect	Off/ On (4 Zones)
Privacy Mask	Off/ On (16 Zones)
Defog	Support

### Interface

Video Interface	1-channel BNC HD-AVS high definition video output, switchable to AHD, TVI and CVBS (SD)
Audio Interface	N/A
RS485	N/A
Alarm	N/A

### Electrical

Power Supply	750mA@DC12V
--------------	-------------

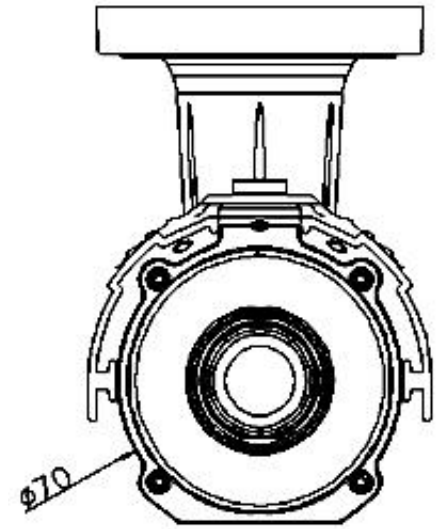
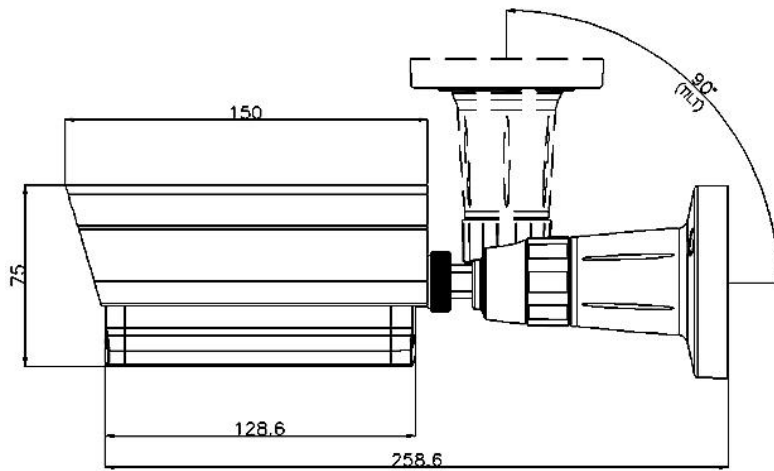
### Environmental

Operating Conditions	-10°C ~55°C (Humidity :0%RH - 90%RH)
Ingress Protection	IP66

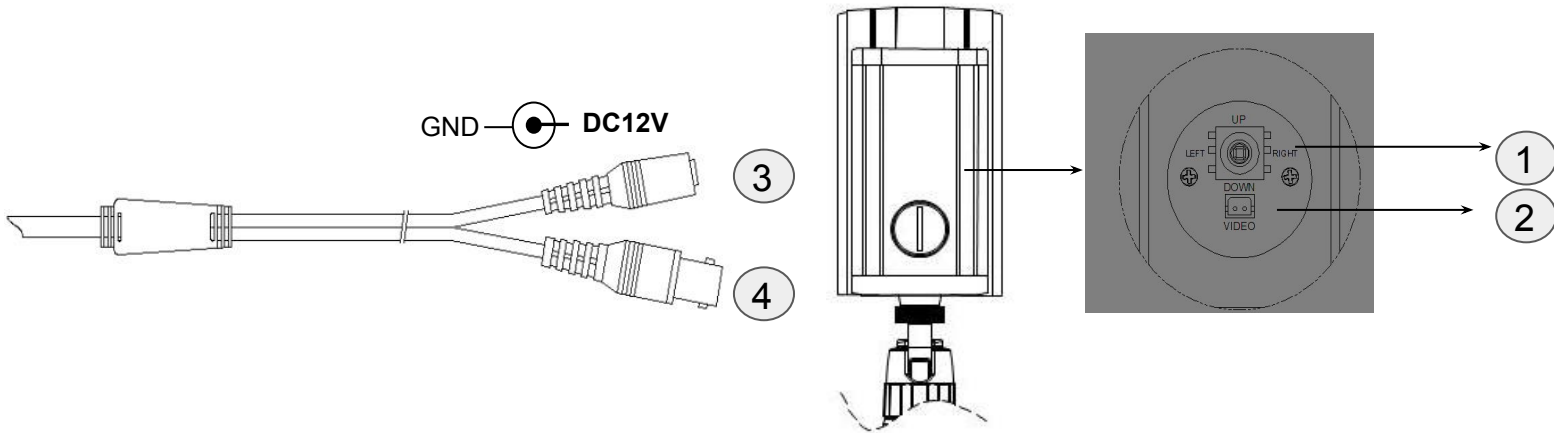
### Construction

Casing	Aluminum
Dimensions	258.6mm×70.0mm×70.0mm (10.1"×2.7"×2.7")
Weight	1.2kg (2.64lb)

**Dimensions (mm/in)**



**Interface**



	Function	I/O	Detail	Notes
1	OSD Joystick	N/A	5-directional OSD joystick	
2	VIDEO OUT	OUT	2 <sup>nd</sup> Video signal output	
3	POWER	IN	Camera power input	DC12V
4	VIDEO OUT	OUT	Video signal output (BNC)	